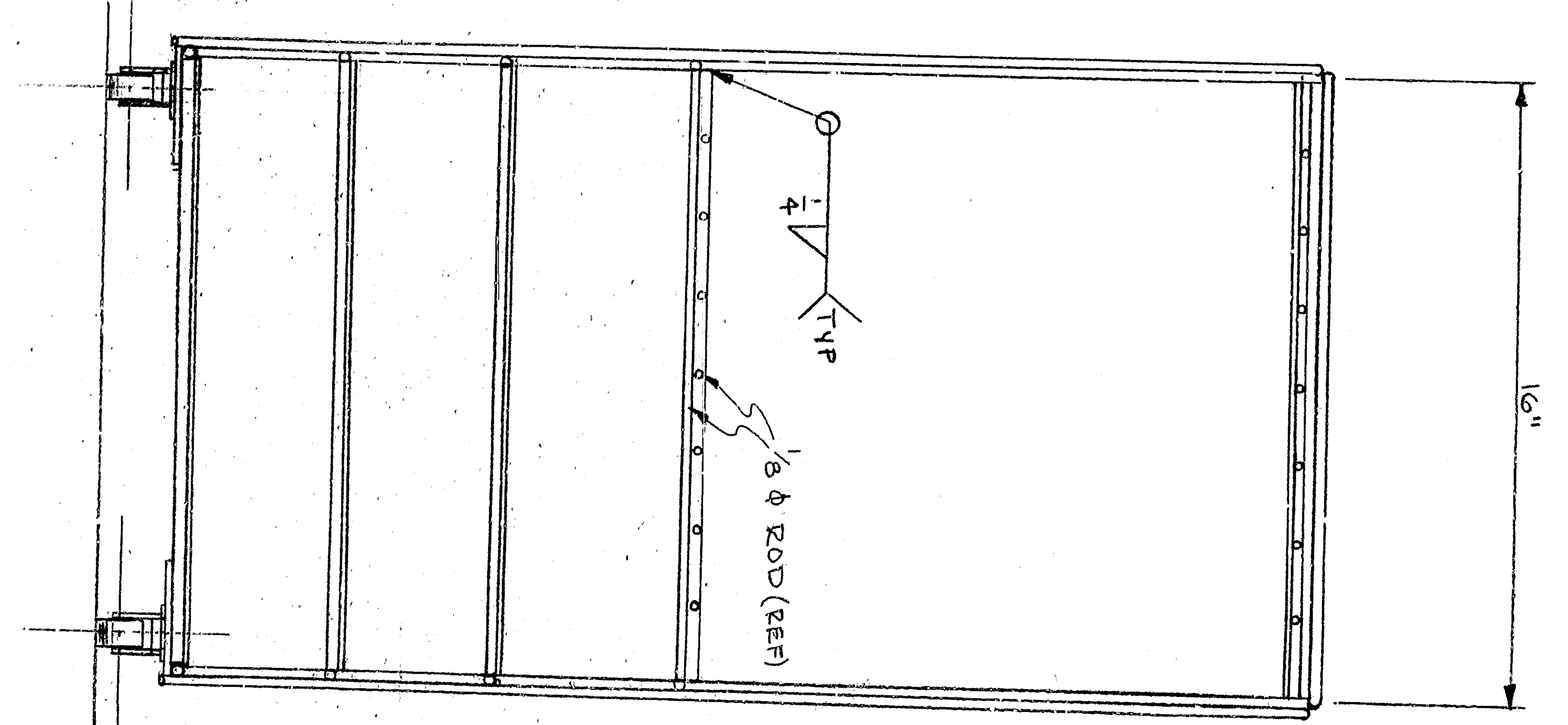
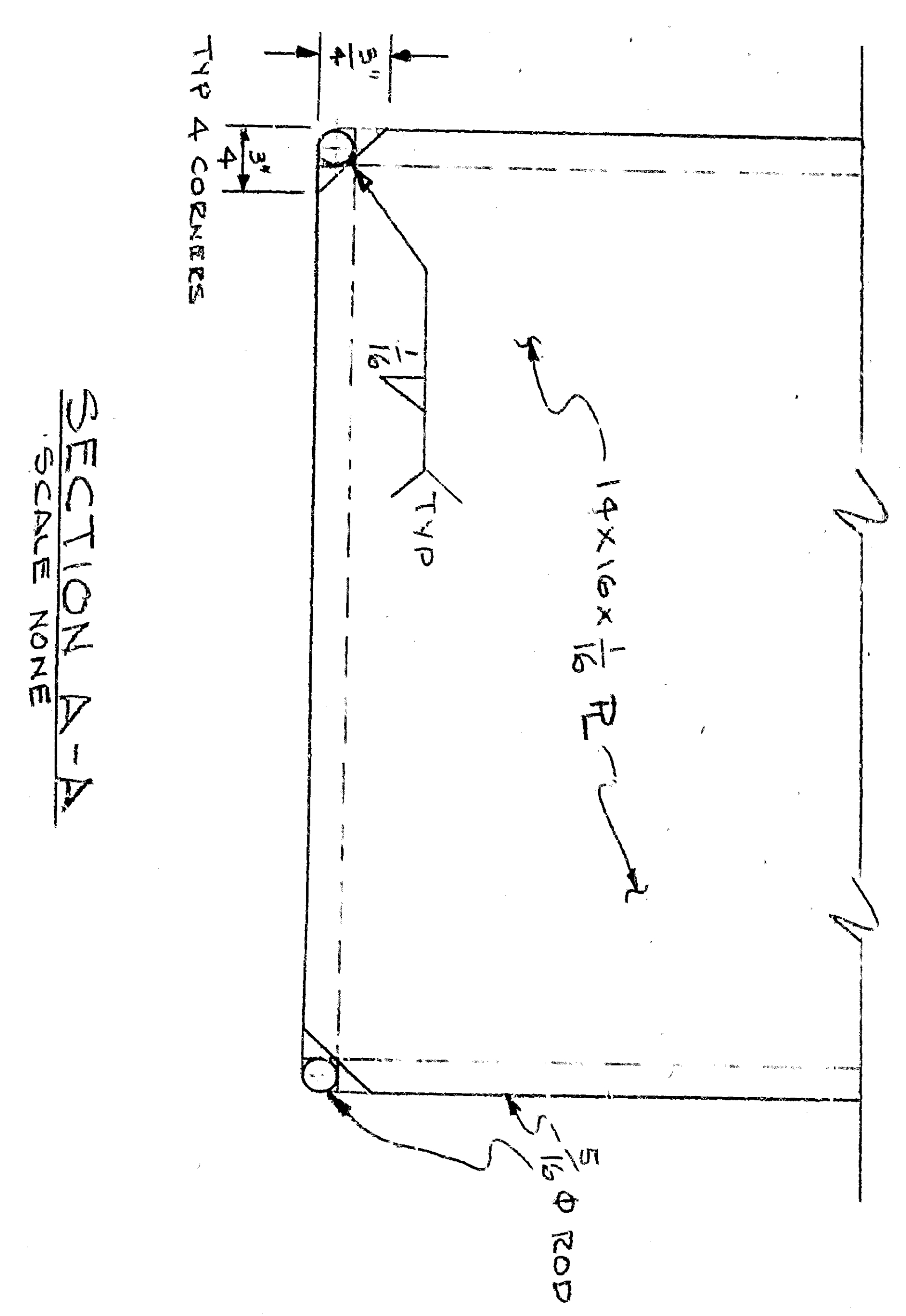


TOP VIEW  
SCALE: 3/16" = 1"

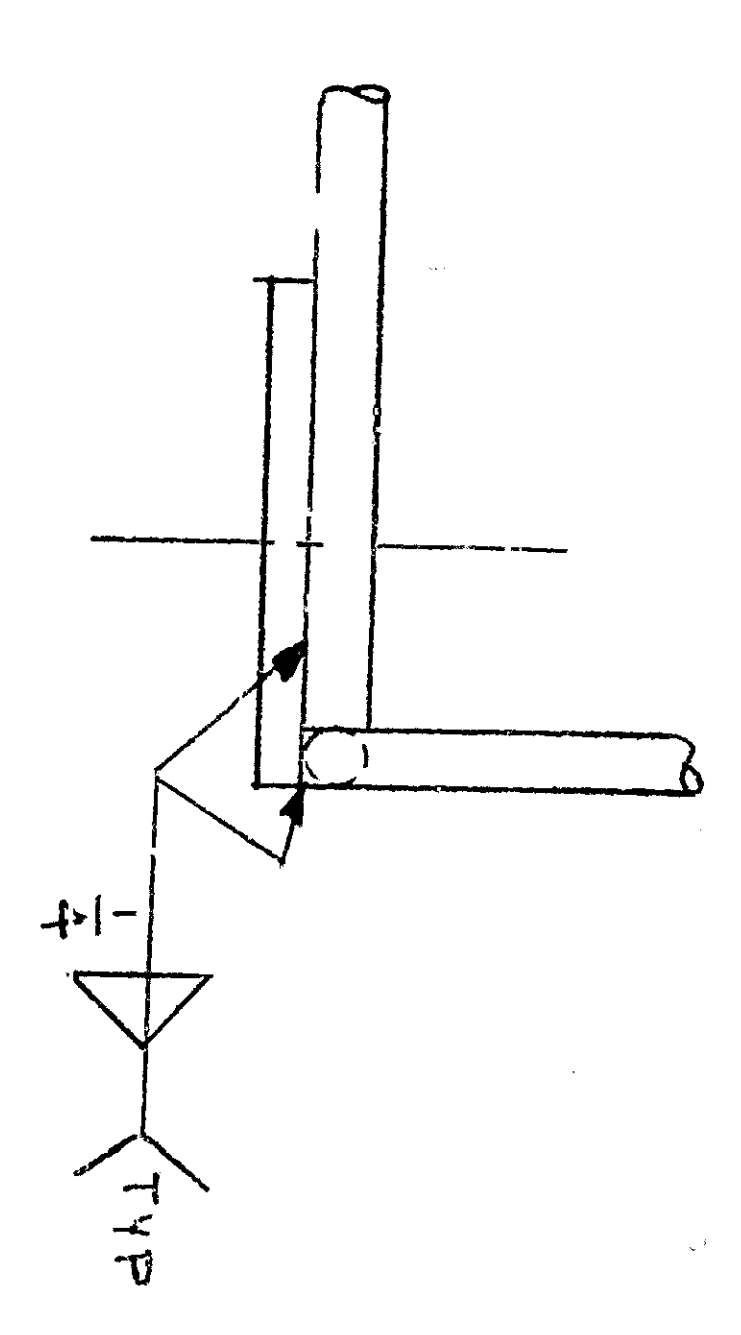
SIDE VIEW  
SCALE: 3/16" = 1"



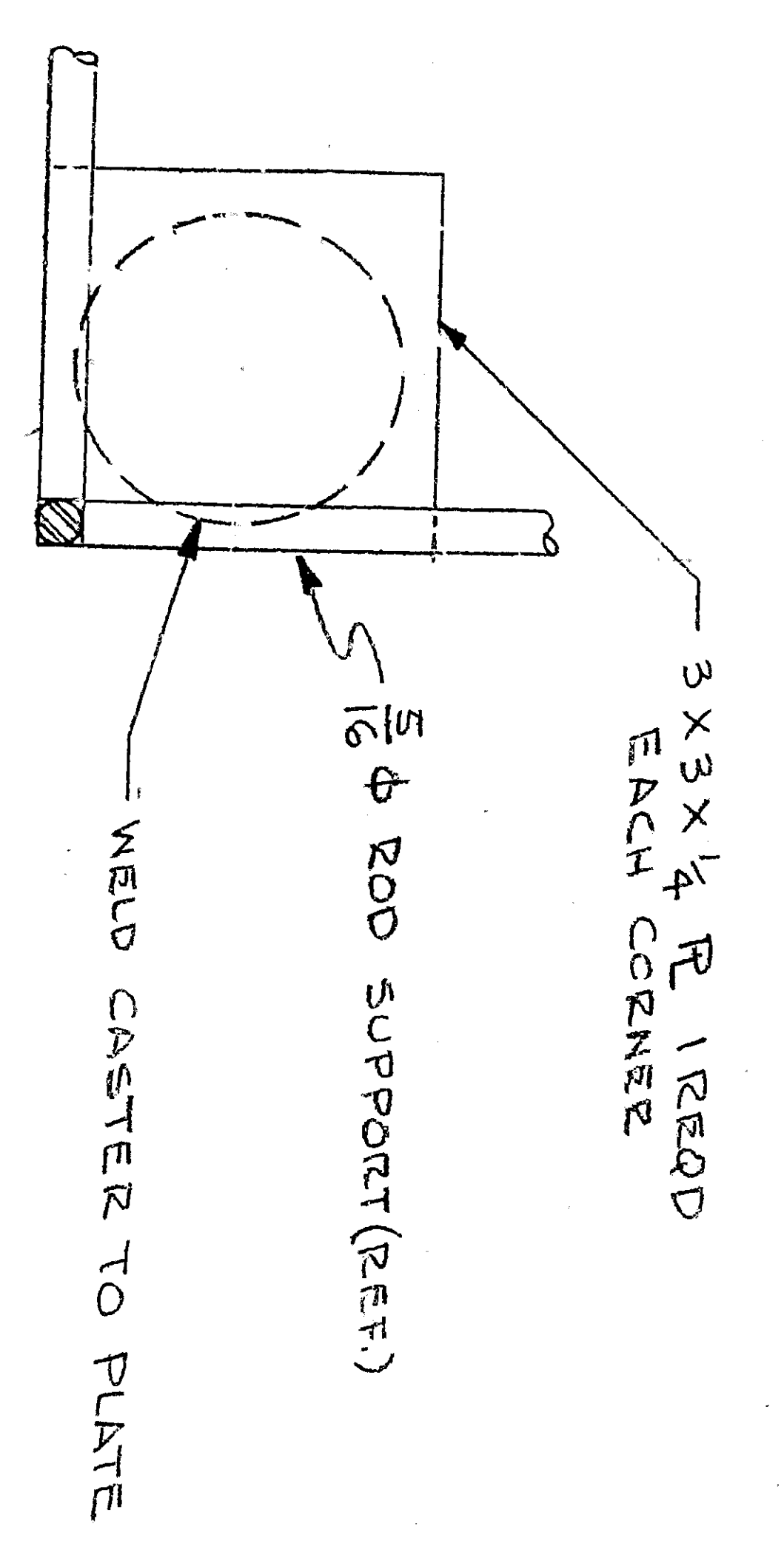
END VIEW  
SCALE: 3/16" = 1"



SECTION A-A  
SCALE NONE



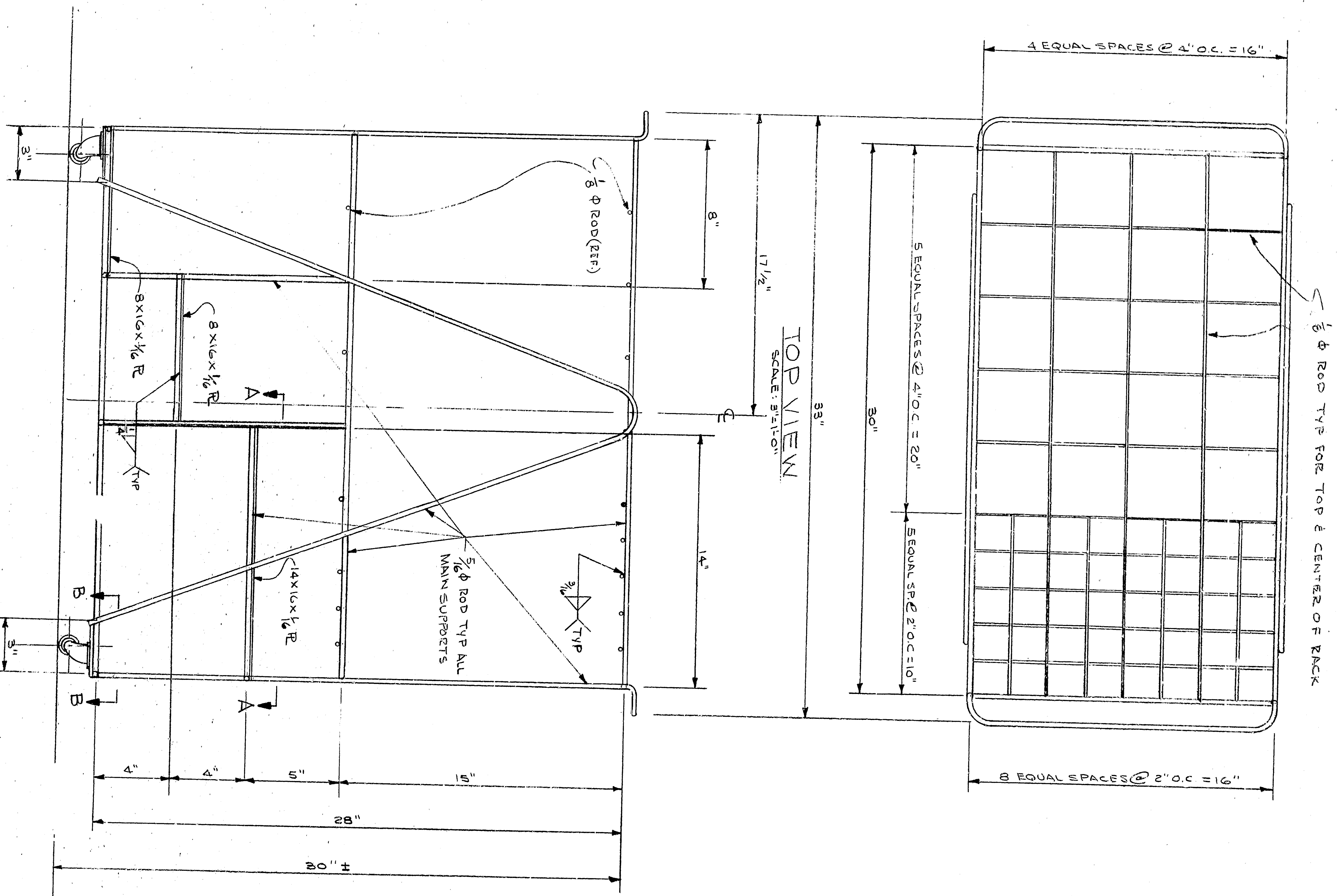
SECTION B-B  
SCALE: 1/8" = 1"



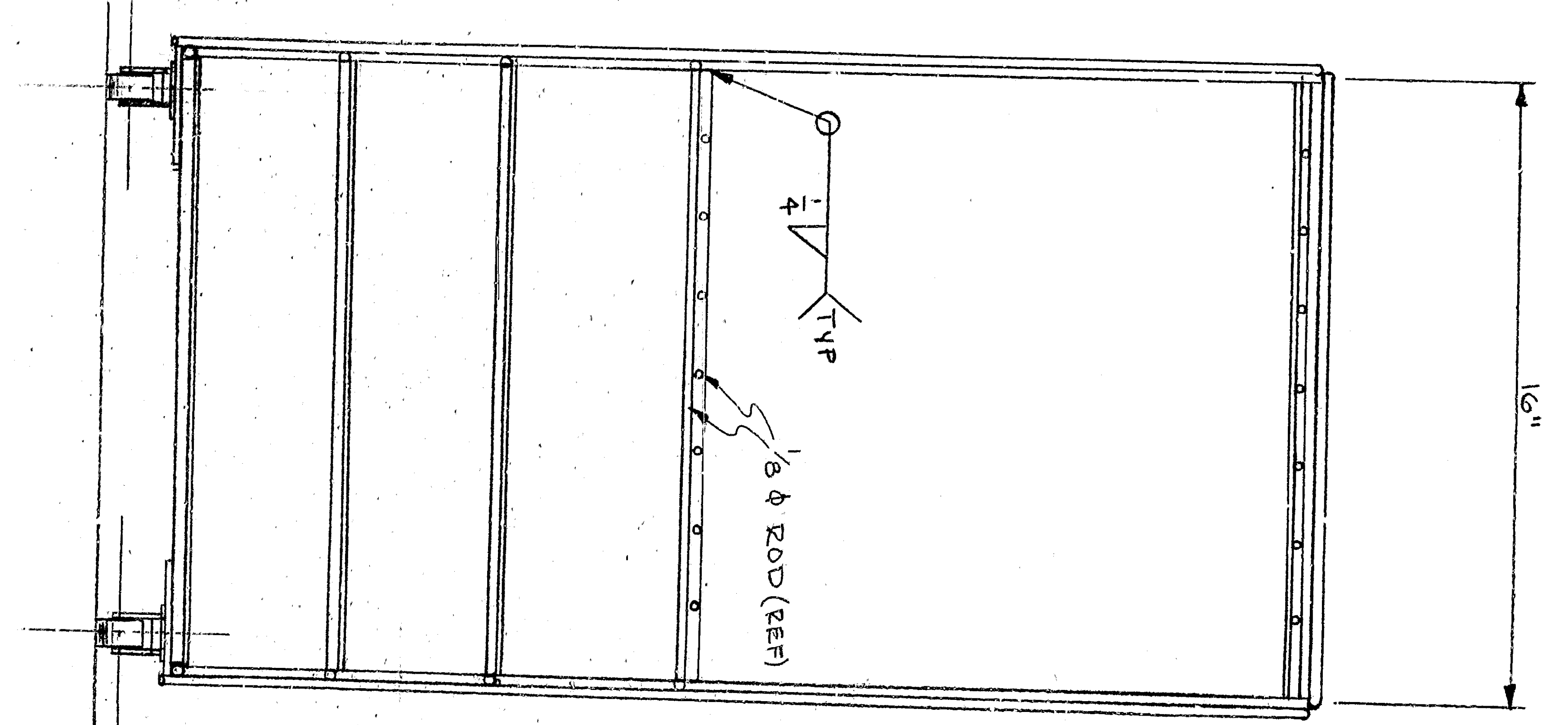
GENERAL NOTES:  
 1. REMOVE ALL BURRS & SHARP EDGES  
 2. PRIME & FINISH WITH SEMI-GLOSS BLACK  
 3. A TOTN. OF 3 UNITS ARE REQUIRED.

APPROVED	3-27-77	19 43	DEPARTMENT OF ENGINEERING
CITY ENGINEER			CITY OF SAN BERNARDINO
REGISTERED PROFESSIONAL ENGINEER			DRAWING RACK
DRAWING NO.	3413	CHECKED BY	FOR
SHEET 1 OF 1		RECOMMENDED	CITY ENGINEER'S OFFICE

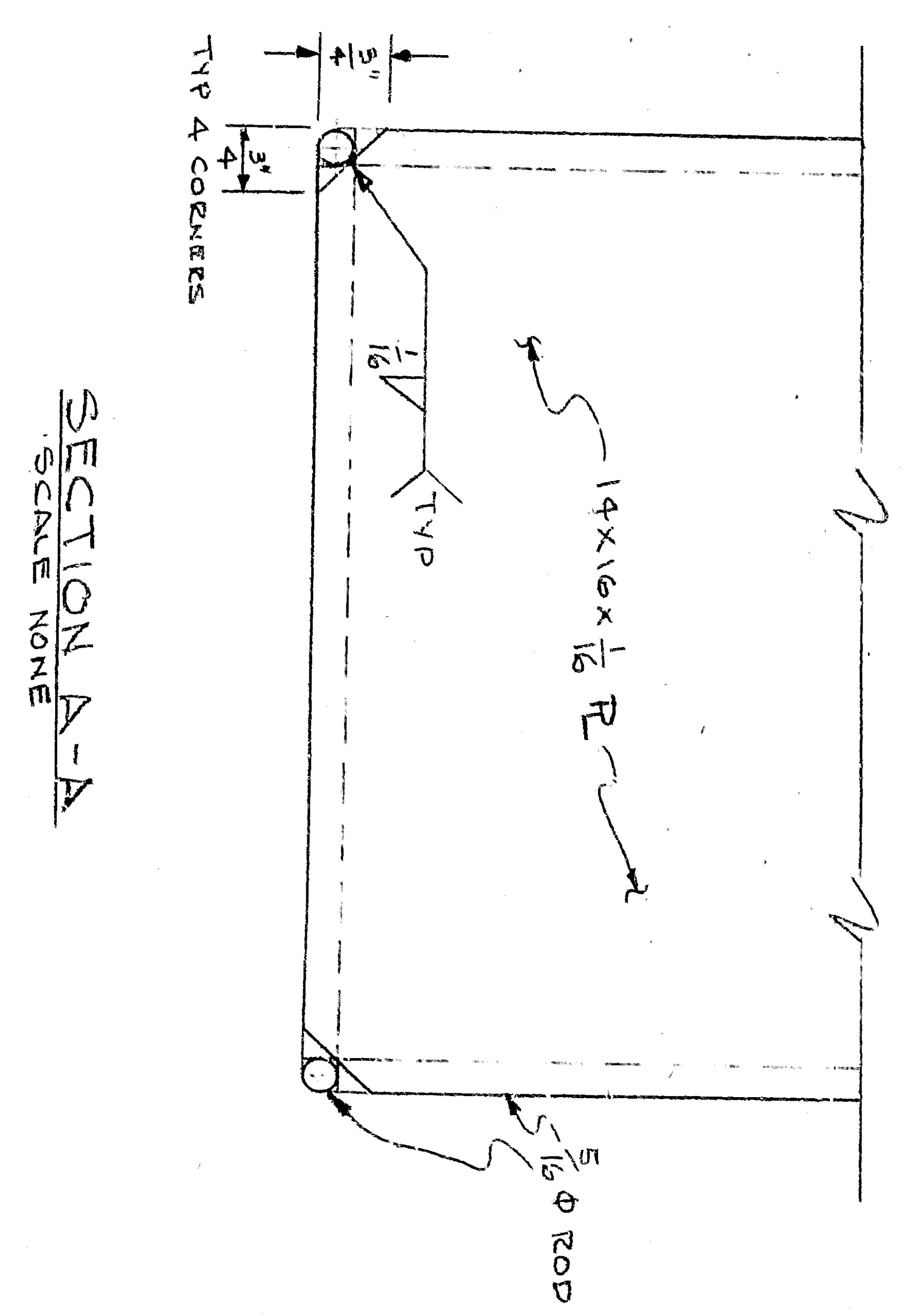




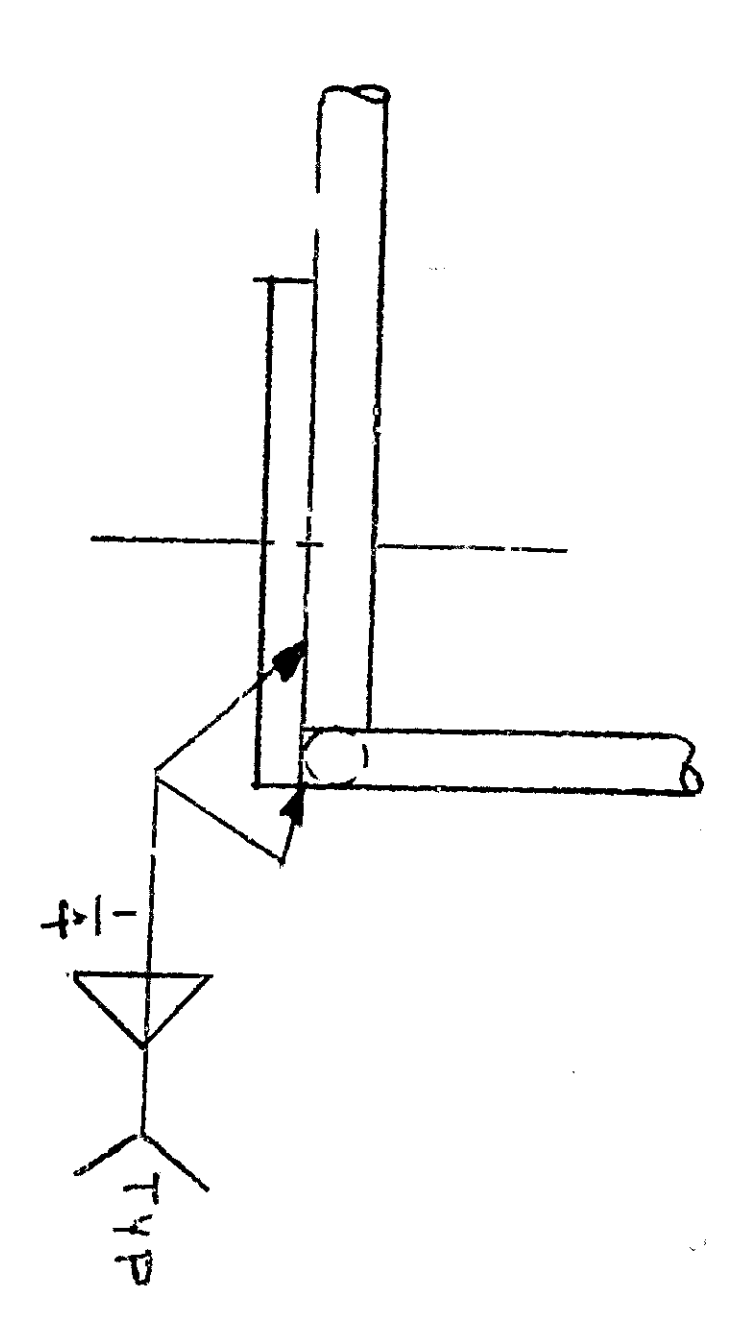
SIDE VIEW  
SCALE: 3/16"



END VIEW  
SCALE: 3/16"



SECTION A-A  
SCALE: NONE

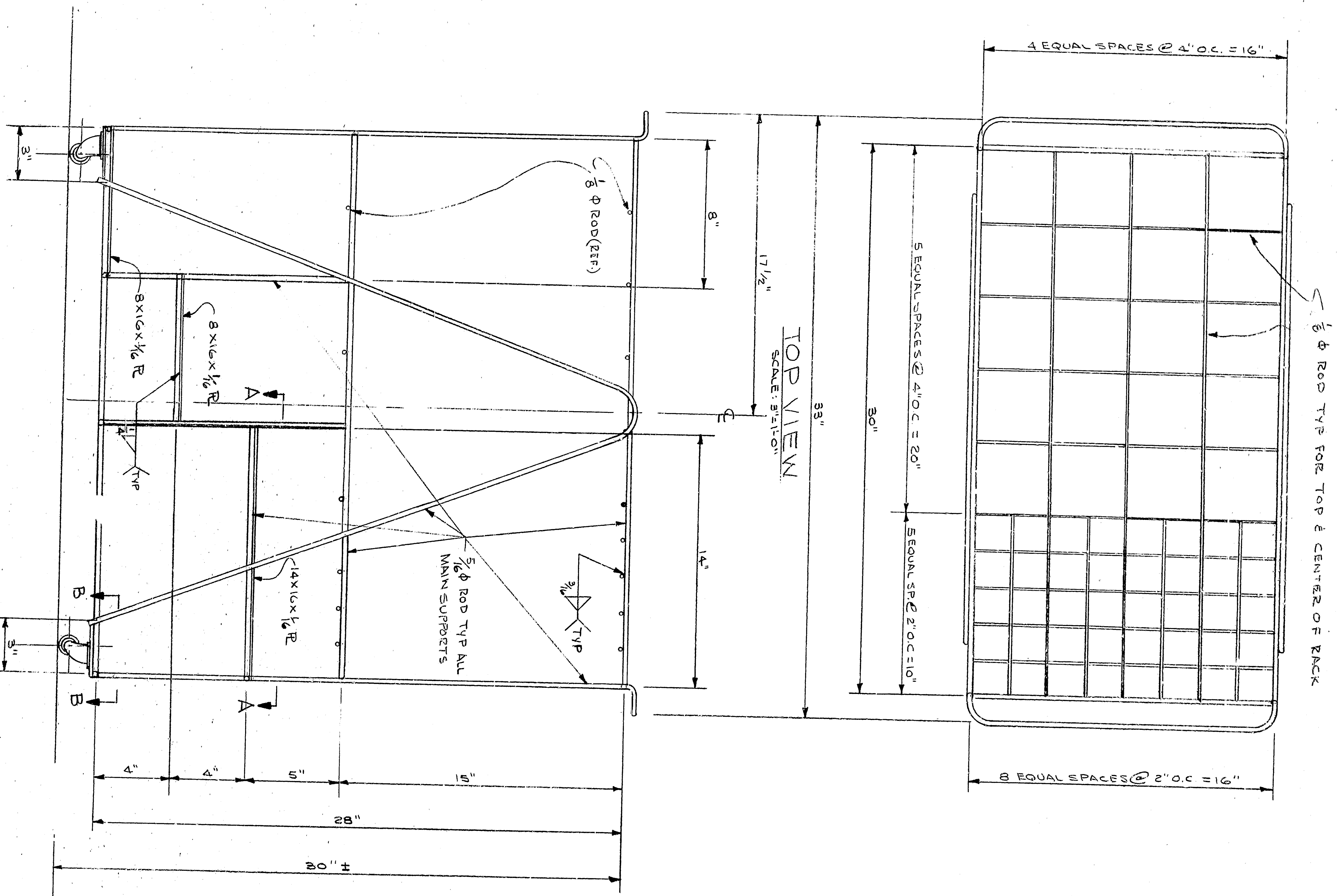


SECTION B-B  
SCALE: 1/2"

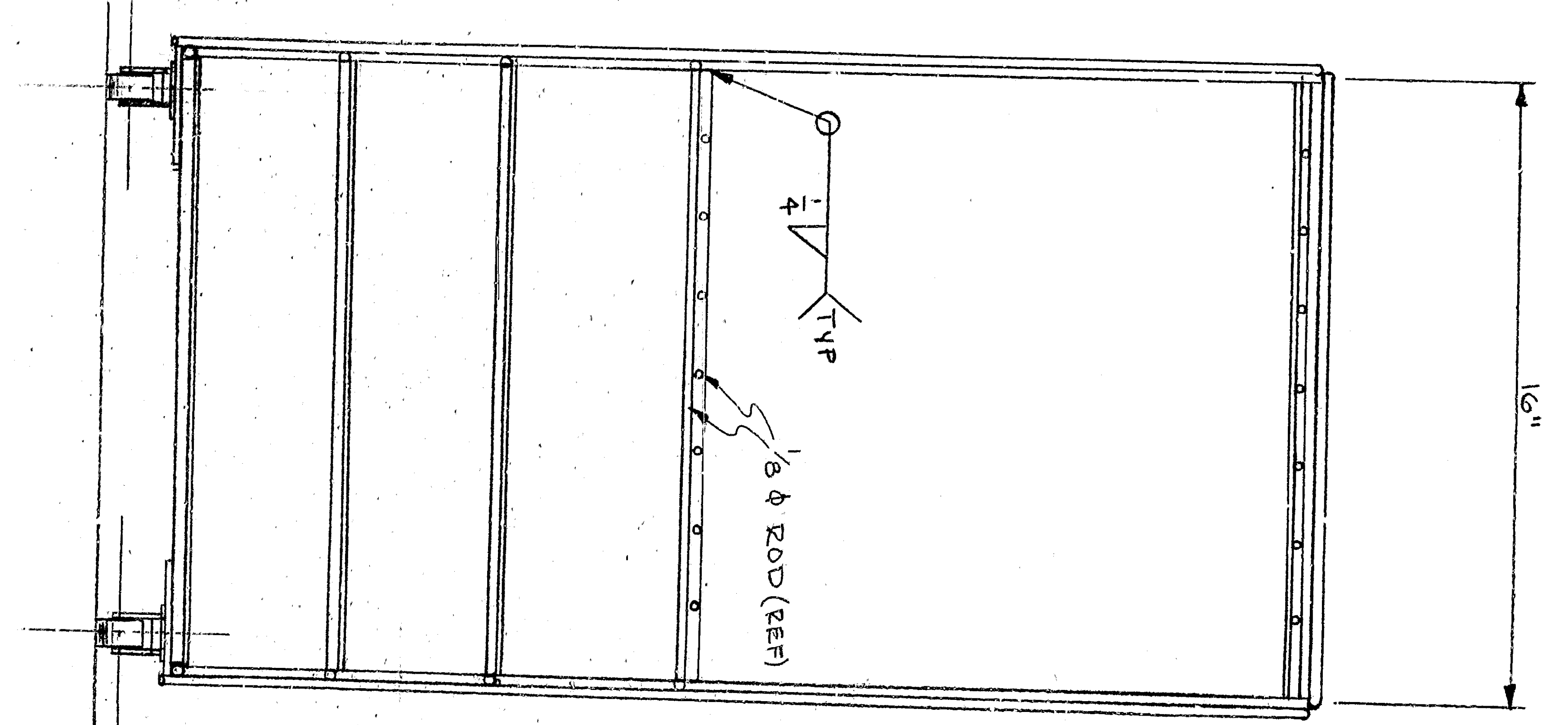
- GENERAL NOTES:
1. REMOVE ALL BURRS & SHARP EDGES
  2. PRIME & FINISH WITH SEMI-GLOSS BLACK PAINT.
  3. A TOTN. OF 3 UNITS ARE REQUIRED.

APPROVED	3-27-71	19 627	DEPARTMENT OF ENGINEERING
REGISTERED PROFESSIONAL ENGINEER			CITY OF SAN BERNARDINO
DRAWING NO.	3413		DRAWING RACK
SHEET 1 OF 1	CHECKED BY		FOR
	RECOMMENDED		CITY ENGINEER'S OFFICE

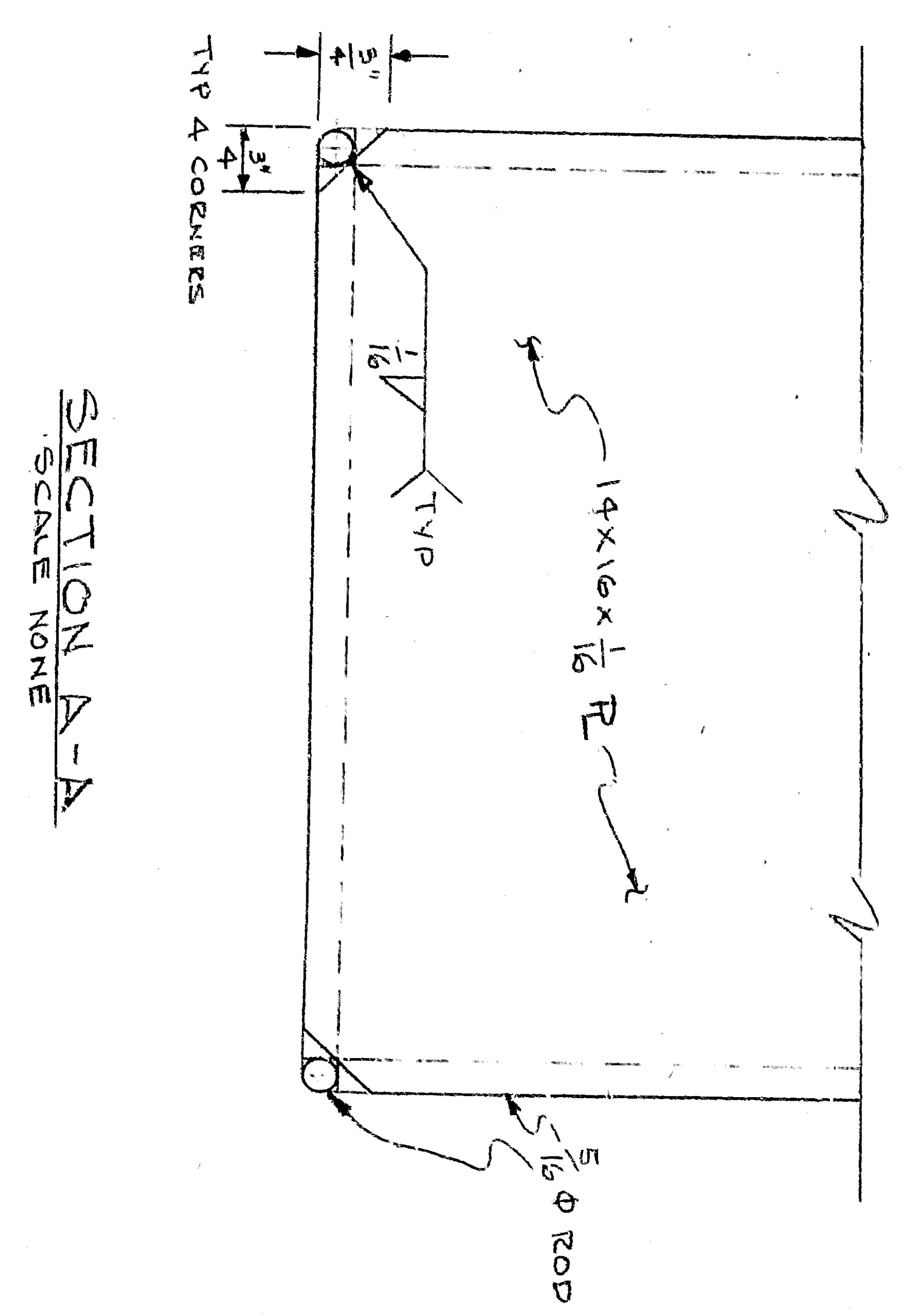




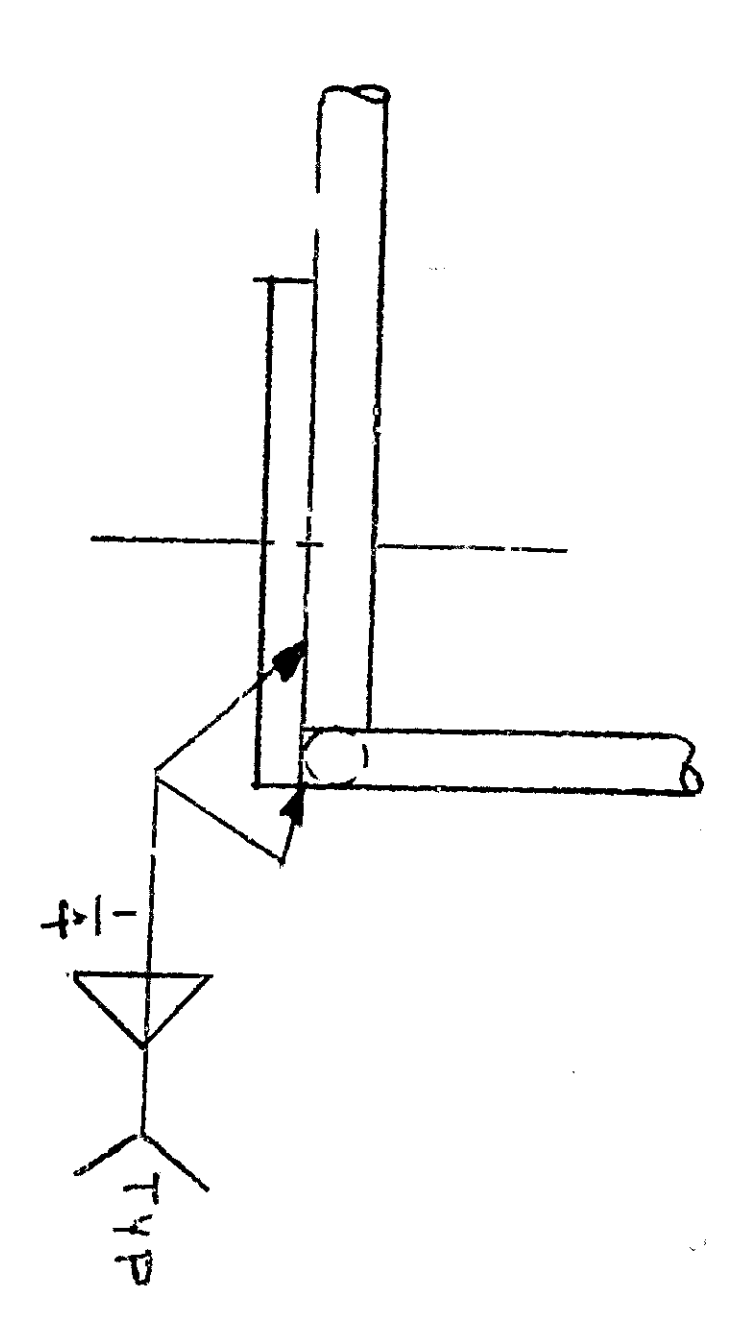
SIDE VIEW  
SCALE: 3/16"



END VIEW  
SCALE: 3/16"



SECTION A-A  
SCALE: NONE



SECTION B-B  
SCALE: 1/8"

- GENERAL NOTES:
1. REMOVE ALL BURRS & SHARP EDGES
  2. PRIME & FINISH WITH SEMI-GLOSS BLACK PAINT.
  3. A TOTN. OF 3 UNITS ARE REQUIRED.

APPROVED	3-27-71	19 627	DEPARTMENT OF ENGINEERING
REGISTERED PROFESSIONAL ENGINEER			CITY OF SAN BERNARDINO
DRAWING NO.	3413		DRAWING RACK
CHECKED BY	Bill		FOR
SHEET 1 OF 1	RECOMMENDED		CITY ENGINEER'S OFFICE